



Construction equipment

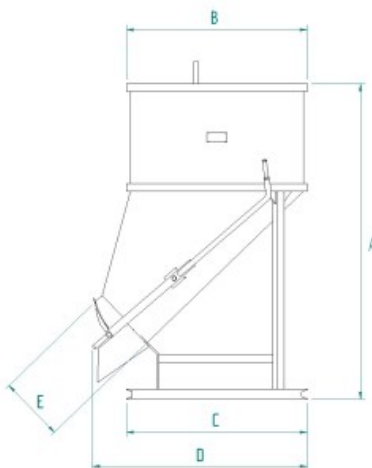
Technical Data Sheet

CONCRETE BUCKETS

Concrete bucket with side unloading

BF Model

Concrete bucket with a fast side unloading
 Opening with lever
 Option: forklift or telehandler predisposition



MODEL	CAPACITY (Lt)	DIMENSIONS (mm)					CAPACITY (kg)	WEIGHT (kg)
		A	B	C	D	E		
BF-30	300	1185	935	935	1109	300	780	100
BF-40	400	1350	935	935	1109	300	1040	110
BF-50	500	1510	935	935	1109	300	1300	115
BF-75	750	1781	1170	1170	1390	420	1950	205
BF-99	1000	2041	1170	1170	1390	420	2600	220
BF-150	1500	1990	1492	1408	1600	420	3900	420
BF-200	2000	2290	1492	1408	1600	420	5200	480



Boscaro srl

Via G. Cederle, 1 - 36020
Campiglia dei Berici (Vicenza) Italy

Tel +39 0444 866520
Fax +39 0444 866350
P.IVA: 00672450244