



Construction equipment

Technical Data Sheet

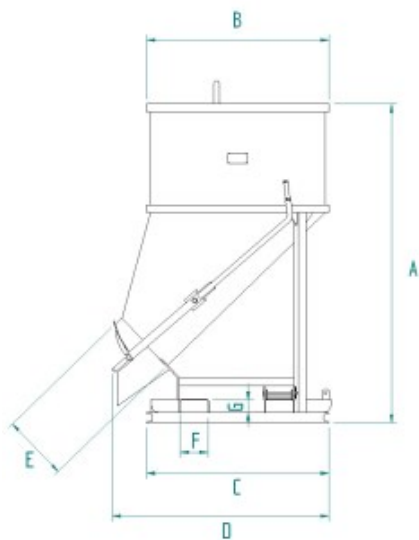
CONCRETE BUCKETS

Concrete bucket with fork pockets

BF-ST Model

Concrete bucket with forklift pockets and side discharge





MODEL	CAP. (Lt)	DIMENSIONS (mm)							CAP. (kg)	WEIGHT(kg)
		A	B	C	D	E	F	G		
BF-30ST	300	1185	935	935	1151	300	180	80	780	130
BF-40ST	400	1185	935	935	1151	300	180	80	1040	135
BF-50ST	500	1510	935	935	1151	300	180	80	1300	145
BF-75ST	750	1781	1170	1170	1405	420	179	80	1950	240
BF-99ST	1000	2041	1170	1170	1405	420	179	80	2600	250
BF-150ST	1500	1990	1492	1492	1600	420	179	80	3900	440
BF-200ST	2000	2290	1492	1492	1600	420	179	80	5200	500



Boscaro srl
 Via G. Cederle, 1 - 36020
 Campiglia dei Berici (Vicenza) Italy

Tel +39 0444 866520
 Fax +39 0444 866350
 P.IVA: 00672450244